



K6-W



K660



K775U



K750U+C+M



K6-S

Model:

Ceiling mounting type:

K500 ; K500U ; K550 ; K550U ; K555 ; K555U  
 K600 ; K600U ; K660 ; K660U ; K666 ; K666U  
 K700 ; K700U ; K770 ; K770U ; K777 ; K777U  
 K750 ; K750U ; K755 ; K755U ; K775 ; K775U  
 K650 ; K650U ; K655 ; K655U ; K665 ; K665U

Wall mounting type:

K5-W ; K6-W ; K7-W

Free Standing type:

K5-S ; K6-S ; K7-S

Model consideration

K500\_ : K5 type with one lamp head & with LCH standard spring arm

K660U: K6 type with two lamp head & with Europe spring arm

K777\_ : K7 type with three lamp head & with LCH standard spring arm

K755U: K7 one lamp head +K5 two lamp head with Europe spring arm

You can attach the Camera and Monitor, Model +C +M

Technical index	Model	K7/K6	K5
Light Head Diameter		62cm	57cm
Articulation Radius		170/183/198cm Or by order	
Light Head Height Adjustment		105cm / 115cm for U Type	
Illuminate Mode		Reflect LED	
Central Illuminance /1M		0~160,000Lux/each	
MIS(ENDO Light)		0~28,000Lux	
*color temperature		4300°K / 4000°K	
*Color Rendering Index (Ra)		95	
*Focusable (Light head height)		60cm~180cm	
*Depth of Light		60cm	
*Depth of Illumination(L1+L2)		110cm	115cm
*Light field diameter		12~25cm	
LED Quantity (each light head)		36	24
*LED Life		50,000Hrs	
*Heat to Light Ratio		3.16mw/m <sup>2</sup> lux	
*Maximum Power		36W At 160,000Lux/1m	40W At 160,000Lux/1m
Power Supply		AC100~240V	

(Color Temperature 4300°K / 4000°K warm white light is optional)

\*Tolerance +-5%

The specifications can be manufactured by order

**ACOMED/ARMED**

TAIWAN DEALER

Soar Instrument Tech Co., Ltd

1F., No.156, Ln. 20, Jiaying St., Xizhi Dist.,

New Taipei City 221, Taiwan

T : 02-8648-6194

F : 02-8648-9678

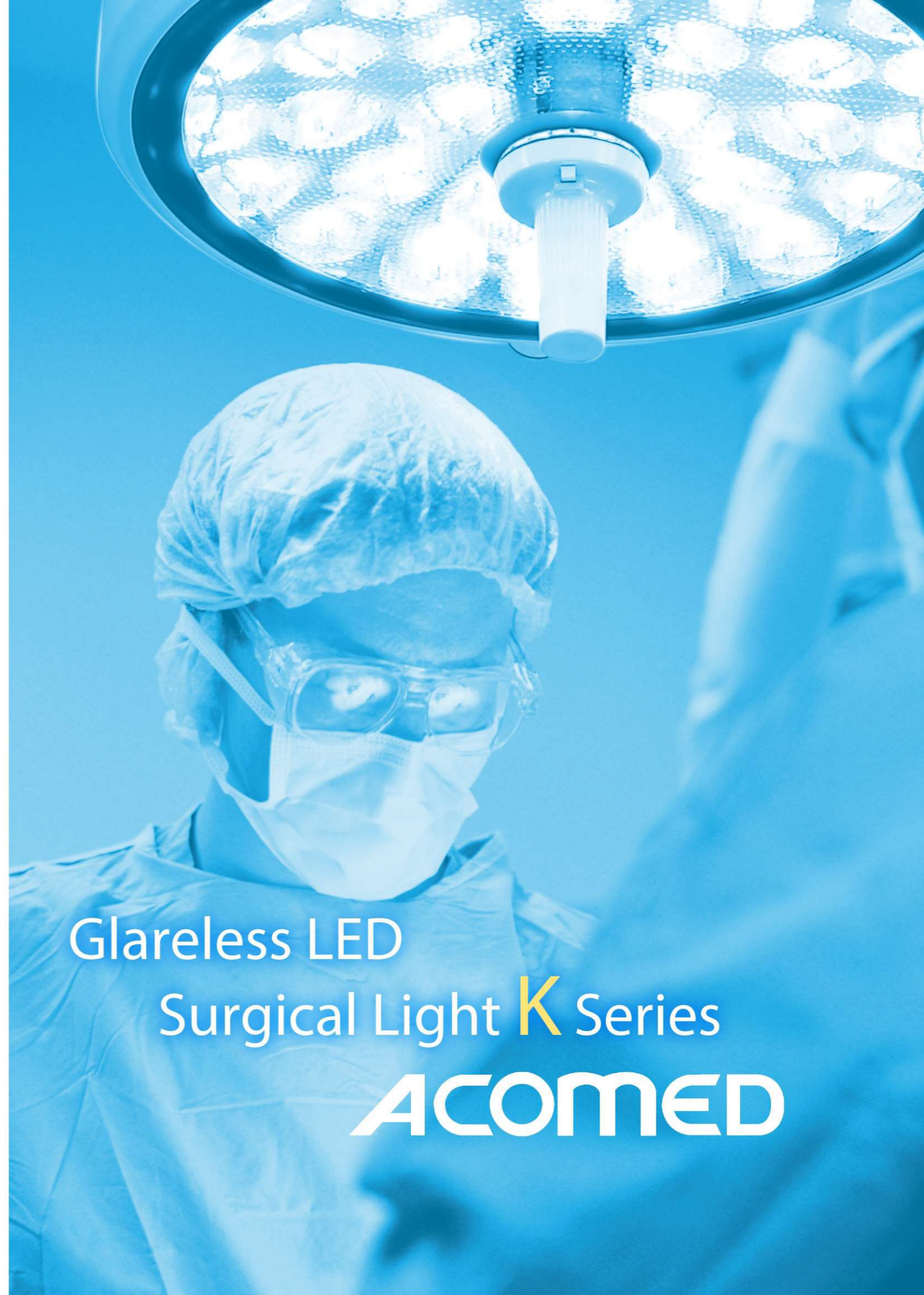


We have a continuing product improvement so that this information is subject to change without prior notice.

Glareless LED

Surgical Light **K** Series

**ACOMED**



Glareless

Eco-Green

Lowest heat

Patented

### LCH Suspending System

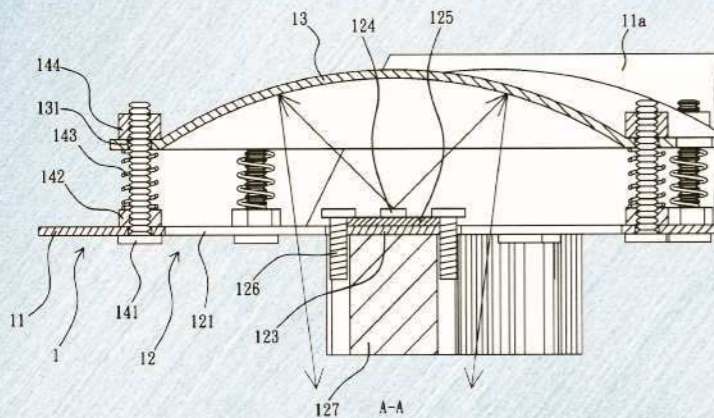


K6 Series



Europe Suspending System

K5 K7 Series



### GLARELESS principle:

LED is a small light emitting strong light on, CA 4mm<sup>2</sup> emitting 100lm flux in the area, is equal to the 25lm/mm<sup>2</sup> the light intensity, but the majority on the market LED surgery lamp lens concentrators mining mode, direct external irradiation, light is directly exposed to, it is easy to inadvertently because of the look of irritation and damage.

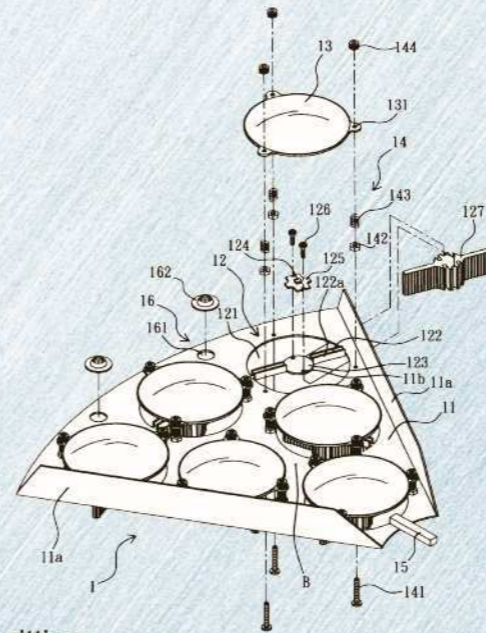
In view of this, K-Series design with reflector, LED lights back operating lamp light direction, light around see the luminous, each LED has its foreign individual reflector, each reflector diameter of 64mm, diluted light intensity is only 0.03lm, about 0.12% of the lens, it can eliminate glare

### Characteristics:

1. Internationally patented high efficient reflecting LED. Glareless lighting protects doctors and patients eyes.
2. High CRI
3. Color temperature is optimized at 4300°K or 4000°K (optional) to ensure clarity of operating field.
4. The dual-controller, 1 design on the lamp and 1 IR remote controllers can be hung on the wall or carry
5. Each controller can easily adjust the intensity 0-100% by Knob or by IR remote controller will not move or shaking lamp.
6. Adjustable laparoscope lighting mode (MIS) in all K series.
7. True environment friendly "GREEN" lighting. K7 K6 delivers 160,000Lux lighting at maximum 36W. K5 delivers 160,000Lux at 40W.
8. Patented heat sink structure keeps LED cooler, increasing LED life and efficiency.
9. Lowest heat to light ratio: 3.16mw/m<sup>2</sup> lx
10. Focusable from 60cm to 180cm
11. Universal medical grade power supply
12. Smooth easy-to-clean non-ageing aluminum light head cover
13. Polycarbonate lens cover has imbedded 4760 lens in K7 K6, 4410 lens in K5
14. Multiple combination with K7 K6 and K5 for different applications
15. Sterile light head handle is reusable and autoclavable.



IR Controller for lamp & camera



Under each led has a heatsink can be led lights leading to the heat generated by the chip guide ensure that led does not heat exhaustion, ensure that the color temperature does not drift, life expectancy of 50,000 hours or more



USA Patented



TW Patented



CN Patented